



CU Heating

Touch-screen Thermostat Controller

Thermostat Instruction Manual

Changing the Standard Temperature

- Use the Δ and ∇ arrows to select the current required temperature.
- Select the \bigcirc button to confirm.
- If successful you will hear a clicking sound and a \flame will appear on screen, informing you the system is warming up.
- If you have turned the system down, the \flame will not appear, but this is normal.

Select Date and Time

- Select \bigcirc to open the menu.
- The box around the \odot should be flashing.
- Select \bigcirc again.
- Use the Δ and ∇ arrows to select the current day.
- Select \bigcirc after highlighting today's date.
- Select the hour using the Δ and ∇ arrows (the thermostat is set for 24-hour time).
- Select \bigcirc again after finding the correct hour.
- Use the Δ and ∇ arrows to select the current minute.
- Press \leftarrow to return to the menu, your time has now been set.

Holiday Mode

- Select \bigcirc to open the menu.
- Use the Δ and ∇ arrows to navigate to 'HOLIDAY'
- Select \bigcirc again
- Use the Δ and ∇ arrows to select how many days you will be away for. You should set the thermostat until the day before you return, this is so when you arrive home on the day the system will be running on its standard setting.
- Select \bigcirc to confirm the selection.
- Use the Δ and ∇ arrows to select the minimum temperature to keep your home while you are away.
- Select \bigcirc to confirm the temperature.
- Your holiday mode has been set.

Cancelling Holiday Mode

- Select \bigcirc to open the menu.
- Use the Δ and ∇ arrows to navigate to 'HOLIDAY'
- Select \bigcirc again
- Use the ∇ arrow to select 0 days.
- Select \bigcirc to confirm the selection.
- Your holiday mode has been Cancelled.

Turning On Hold Mode

- Turn the thermostat on with \odot
- Select \bigcirc to open the menu.
- Press the ∇ arrow to navigate to 'HOLD'.
- Select \bigcirc to confirm
- Use the Δ or ∇ arrow to change the mode from 'OFF' to 'ON'.
- Select \bigcirc to confirm
- Use the Δ and ∇ arrows to select a temperature to maintain the system at.
- This mode will hold your temperature permanently, even if you have a scheduled temperature change. This function will overwrite that and maintain the set temperature.

Cancelling Hold Mode

- Select \bigcirc to open the menu.
- Press the Δ and ∇ arrows to navigate to 'HOLD'.
- Select \bigcirc to confirm
- Use the Δ or ∇ arrows to change the mode from 'ON' to 'OFF'.
- Select \bigcirc to confirm.



CU Heating

Advanced Set-Up

No.	Feature	Default	Options
1	Air temp calibration	0°C	-5°C - 5°C
2	Floor temp calibration	0°C	-5°C - 5°C
3	Frost protection enable	On	OF (Off) ON
4	Frost protection limit	5	5°C - 15°C
5	Sensor selection	01: Floor Sensor	00: Air Sensor 01: Floor Sensor 02: Air & Floor Sensor
6	Floor temperature limit	30°C	-20°C - 50°C
7	Temperature format	00: °C	00: °C 01: °F
8	Output delay	0 seconds	00: 00s 01: 30s 02: 60s 03: 90s
9	Switching differential	01: 1°C	00: 0.5°C 01: 1.0°C 02: 2.0°C 03: 3.0°C
10	Reverse output	00: Off	00: Off 01: On
11	Schedule	01: 5+1+1	00: 7 day 01: Weekday, Sat, Sun (5+1+1)
12	Optimum start	00: Off	00: Off 01: On
13	Reset to factory settings	00: No	00: On 01: Reset

Error Codes

E1 = Built in sensor error
E2 = Floor sensor error

Scheduling

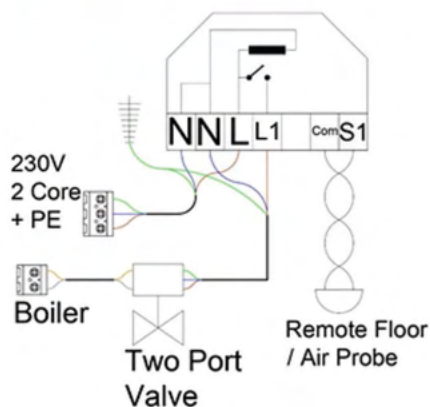
The schedule for this thermostat must be set manually for all 7 days of the week.

- Turn the thermostat on with **⏻**
- Select **⊙** to open the menu.
- Press the **△** arrow twice until the 'EDIT' box is flashing.
- Select **⊙** to confirm
- Use the **△** and **▽** arrows to select the day of the week you wish to change.
- Select **⊙** to confirm your selection.
- There are now four settings to select:

Wake 07:00 – 22°C	Leave 08:30 – 19°C	Return 17:00 – 22°C	Sleep 22:00 – 19°C
-----------------------------	------------------------------	-------------------------------	------------------------------

- Select which setting you would like to change using the **△** and **▽** arrows. Click the **⊙** button to select.
- Select the hour you want the setting to start using the **△** and **▽** arrows. Click the **⊙** button to select.
- Then select the minute you want the setting to start using the **△** and **▽** arrows. Click the **⊙** button to select.
- Finally, select the temperature using the **△** and **▽** arrows and click the **⊙** button to confirm.
- You will then automatically be moved to the next section for the same day.
- To move up a menu layer, select the **⏪** button.
- Complete all 7 days this way to complete your schedule.

Wiring Instructions



Thermostat specs

Voltage	- 230v
Relay size	- 16amp / 3000w at 230v
Dimensions	- 86mm*86mm*16mm
Housing	- Single gang 35mm back box
Screen	- 76mm LCD display
UI	- Capacitive touch
Probe	- 10K Ohms
Colours	- Black/white